

Radiant Heat Single Zone

Qty	p/n	Description	Qty	p/n	Description
3	103	90°, 1" Street Elbow	1	413	007 Zoning Pump
5	118	3/4" Close Nipple	1	556	Power Supply Cord, 32"
1	126	90°, Brass, 3/4" Street Elbow	1	591	Water-to-Water Heat Exchanger
7	138	1" Sweat Tee	2	1329	Three Branch Valved Manifold
9	164	3/4" FIP to 1" Sweat Adapter	2	1331	1" x 1", Sweat to PEX Adapter
2	180	1/8" x 3/4" Bushing	1	1349	Two Branch Valved Manifold
1	588	24-V Wall Thermostat	1	1880	Two Branch Manifold, 1/2" Out
4	199	3/4" Ball Drain Valve	2	1885	Three Branch Manifold, 1/2" Out
1	224	3/4" Pump Isolation Flange Kit	1	2053	W-to-W Heat Exchr Fittings Kit
1	327	3/4" Mixing Valve	2	6054	Temperature Gauge

This horizontal assembly must not exceed a height of 4 inches above top of water heater.

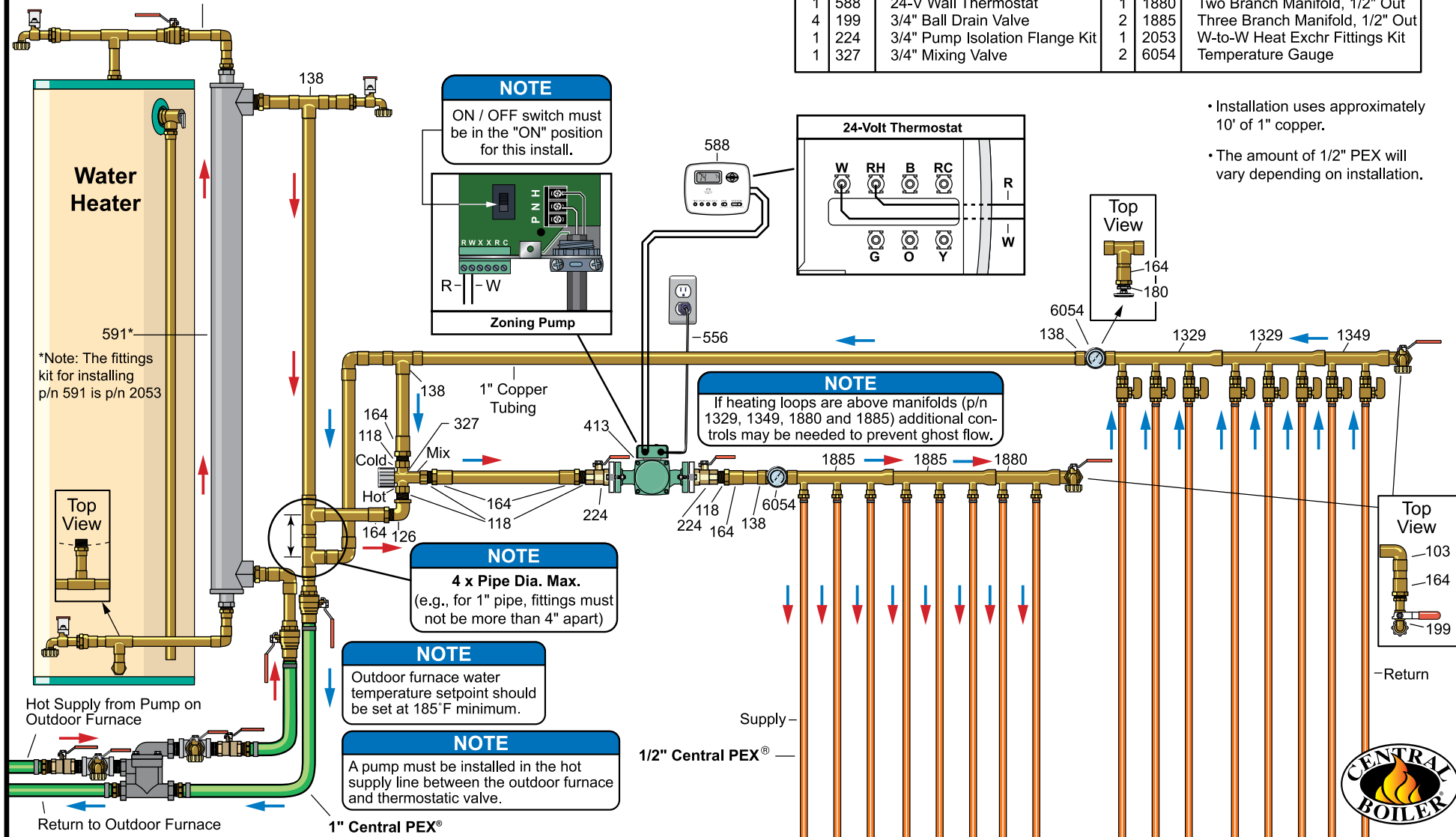
NOTE
Installer must comply with all applicable codes and regulations.

NOTE
ON / OFF switch must be in the "ON" position for this install.

Zoning Pump

24-Volt Thermostat

- Installation uses approximately 10' of 1" copper.
- The amount of 1/2" PEX will vary depending on installation.



NOTE
If heating loops are above manifolds (p/n 1329, 1349, 1880 and 1885) additional controls may be needed to prevent ghost flow.

NOTE
4 x Pipe Dia. Max.
(e.g., for 1" pipe, fittings must not be more than 4" apart)

NOTE
Outdoor furnace water temperature setpoint should be set at 185°F minimum.

NOTE
A pump must be installed in the hot supply line between the outdoor furnace and thermostatic valve.

